

THIS DRAWING IS UNPUBLISHED. RELEASED FOR PUBLICATION
 © COPYRIGHT - By - ALL RIGHTS RESERVED.

| LOC | | DIST | | REVISIONS | | | |
|-----|-----|---------------------------|--|-----------|-----|------|--|
| P | LTR | DESCRIPTION | | DATE | DWN | APVD | |
| | A1 | REVISED PER ECO-11-004917 | | 11MAR11 | RK | HMR | |

| MATERIALS | | |
|----------------------------------|--|--|
| COMPONENT NAME | BASE MATERIAL | FINISH |
| CASE | LCP, BLACK, UL94 V-0 | |
| TERMINAL, WIRE LUG (GOLD) | BRASS | GOLD OVER NICKEL |
| TERMINAL, PC & RA (GOLD) | BRASS | GOLD OVER NICKEL IN CONTACT AREA, TIN OVER NICKEL IN SOLDER AREA |
| TERMINAL, WIRE LUG & PC (SILVER) | SILVER CLAD COPPER | SILVER OVER NICKEL |
| CONTACT (GOLD) | COPPER ALLOY OR BRASS | GOLD OVER NICKEL |
| CONTACT (SILVER) | SILVER CLAD COPPER OR COPPER | SILVER OVER NICKEL |
| FRAME | STEEL | TIN OVER COPPER |
| SPRING | MUSIC WIRE | |
| PLUNGER BUTTON | NYLON 6/6, BLACK, RED OR BLUE, UL94 HB | |
| GUIDE, CC & FF SWITCHES ONLY | NYLON 6/6, WHITE | |

| PART NUMBER MATRIX | | | | | | | |
|--------------------|--------|------------------|------------------|----------------|--------------------|--------------|----|
| MODEL | POLES | RATING | FUNCTION | PLATING | TERMINATIONS | BUTTON COLOR | 04 |
| TP | 1 | 1=GOLD .4VA | C=SPST MOMENTARY | G=GOLD | BLANK=WIRE LUG | 0=BLACK | |
| | 2(1+1) | 3=SILVER 1 AMP 1 | F=SPDT MOMENTARY | BLANK=SILVER 1 | PC=PRINTED CIRCUIT | 2=RED | |
| | | | | | RA=RIGHT ANGLE 1 | 6=BLUE | |

NOTES:
 1. SILVER ONLY AVAILABLE IN WIRE LUG AND PC TERMINATIONS

| SPECIFICATIONS | |
|--------------------------------|---|
| RATING | GOLD: .4VA MAX. @ 20VDC OR PEAK AC RESISTIVE SILVER: 1A @ 125VAC OR 28 VDC RESISTIVE |
| INITIAL TERMINATION RESISTANCE | 20 MILLIOHMS MAX. |
| INSULATION RESISTANCE | 1,000 MEGOHMS MIN @ 500 VDC |
| DIELECTRIC STRENGTH | 1,000 VOLTS RMS AT SEA LEVEL |
| TIMING | BREAK BEFORE MAKE |
| PLUNGER TRAVEL | .030 |
| ACTUATION FORCE | 50 TO 400 GRAMS |
| LIFE EXPECTANCY | .4VA: 100,000 1A: 60,000 |
| OPERATING TEMPERATURE | -30°C TO +95°C |
| STORAGE TEMPERATURE | -30°C TO +95°C |
| TERMINAL SEAL | SINGLE POLE: EPOXY DOUBLE POLE: EPOXY OPTIONAL |

| P/N | ALCO P/N | POLES | THROWS | PLATING | TERMINALS | BUTTON COLOR | FUNCTION | | CONNECTED TERMINALS | |
|-------------|--------------|--------|--------|---------|-------------|--------------|----------|------|---------------------|------|
| | | | | | | | ALCO | ALCO | ALCO | ALCO |
| 1825095-1 | TP11CGPC004 | 1 | 1 | GOLD | PC | BLACK | OFF | MOM | OFF | 1-3 |
| 1825095-2 | TP11CGPC204 | 1 | 1 | GOLD | PC | RED | OFF | MOM | OFF | 1-3 |
| 1825095-3 | TP11CGRA004 | 1 | 1 | GOLD | RIGHT ANGLE | BLACK | OFF | MOM | OFF | 1-3 |
| 1825095-4 | TP11CGRA204 | 1 | 1 | GOLD | RIGHT ANGLE | RED | OFF | MOM | OFF | 1-3 |
| 1825095-5 | TP11CGRA604 | 1 | 1 | GOLD | RIGHT ANGLE | BLUE | OFF | MOM | OFF | 1-3 |
| 1825095-6 | TP11FGPC004 | 1 | 2 | GOLD | PC | BLACK | ON | MOM | 1-2 | 2-3 |
| 1825095-7 | TP11FGPC204 | 1 | 2 | GOLD | PC | RED | ON | MOM | 1-2 | 2-3 |
| 1825095-8 | TP11FGRA004 | 1 | 2 | GOLD | RIGHT ANGLE | BLACK | ON | MOM | 1-2 | 2-3 |
| 1825095-9 | TP11FGRA204 | 1 | 2 | GOLD | RIGHT ANGLE | RED | ON | MOM | 1-2 | 2-3 |
| 1-1825095-0 | TP11FGRA604 | 1 | 2 | GOLD | RIGHT ANGLE | BLUE | ON | MOM | 1-2 | 2-3 |
| 1-1825095-1 | TP21CCGRA004 | 2(1+1) | 1 | GOLD | RIGHT ANGLE | BLACK | OFF | MOM | OFF | 1-3 |
| 1-1825095-2 | TP21CCGRA204 | 2(1+1) | 1 | GOLD | RIGHT ANGLE | RED | OFF | MOM | OFF | 1-3 |
| 1-1825095-3 | TP21FFGRA004 | 2(1+1) | 2 | GOLD | RIGHT ANGLE | BLACK | ON | MOM | 1-2 | 2-3 |

- NOTES:
1. TERMINAL NUMBERS ARE FOR REFERNCE ONLY AND DO NOT APPEAR ON SWITCHES
 2. ALL MATERIALS AND FINISHES COMPLY WITH EU DIRECTIVE 2002/95/ES OF 27JAN2003 (ROHS)
- 3 CENTER TERMINAL PRESENT ON DOUBLE THROW SWITCHES ONLY.

THIS DRAWING IS A CONTROLLED DOCUMENT.

| | | |
|------------------|-------|---------|
| DWN | RAGHU | 12-1-05 |
| CHK | - | - |
| APVD | - | - |
| PRODUCT SPEC | - | - |
| APPLICATION SPEC | - | - |
| WEIGHT | - | - |
| CUSTOMER DRAWING | - | - |

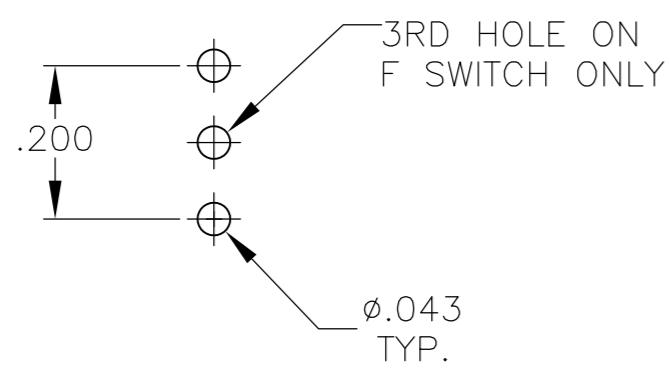
TE TE Connectivity

PUSHBUTTON SWITCH, TP SERIES

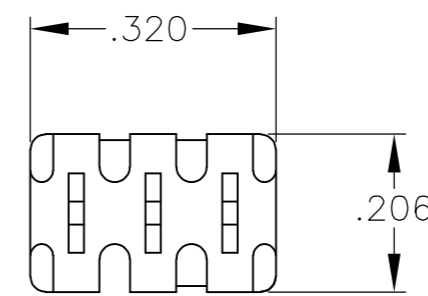
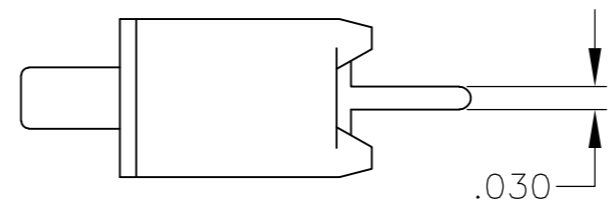
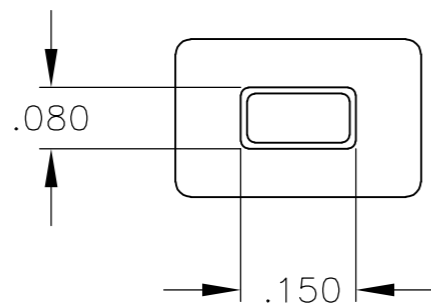
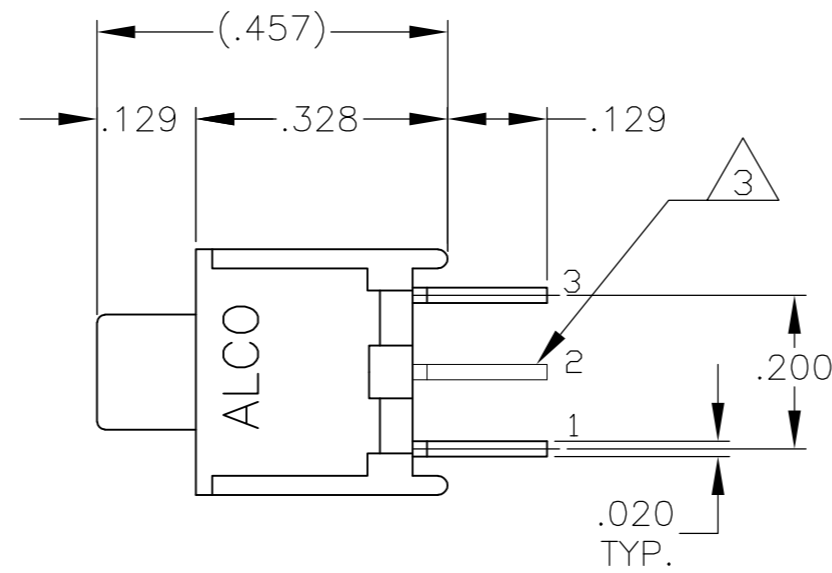
| | | | | | | | |
|-------|-----|-----------|--------|------------|-----------|---------------|---|
| SIZE | A2 | CAGE CODE | 00779 | DRAWING NO | C=1825095 | RESTRICTED TO | - |
| SCALE | 4:1 | SHEET | 1 of 3 | REV | A1 | | |

THIS DRAWING IS UNPUBLISHED. RELEASED FOR PUBLICATION
 © COPYRIGHT - By - ALL RIGHTS RESERVED.

| LOC | DIST | REVISIONS | | | | | |
|-----|------|-----------|-----|-------------|------|-----|------|
| AD | 00 | P | LTR | DESCRIPTION | DATE | DWN | APVD |
| | | - | - | SEE SHEET 1 | - | - | - |



RECOMMENDED HOLE LAYOUT
 TOLERANCE $\pm .002$ UNLESS OTHERWISE NOTED

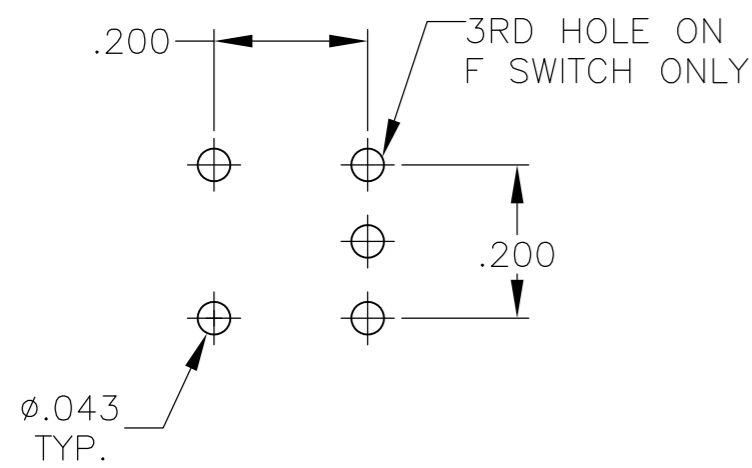


TP11CGPC
 TP11FGPC

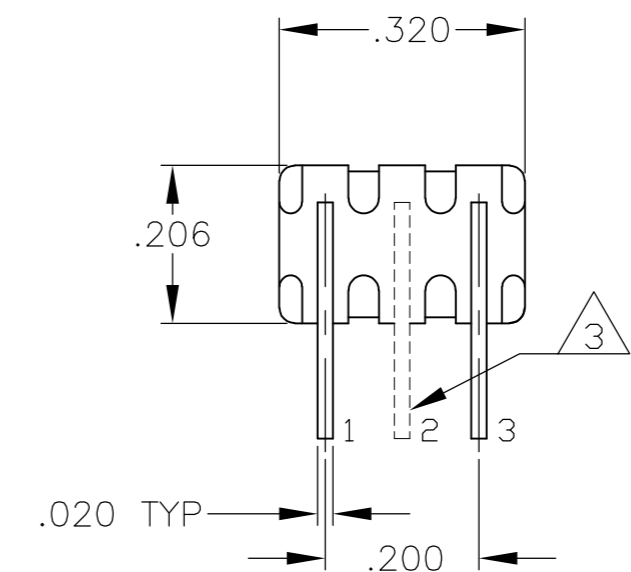
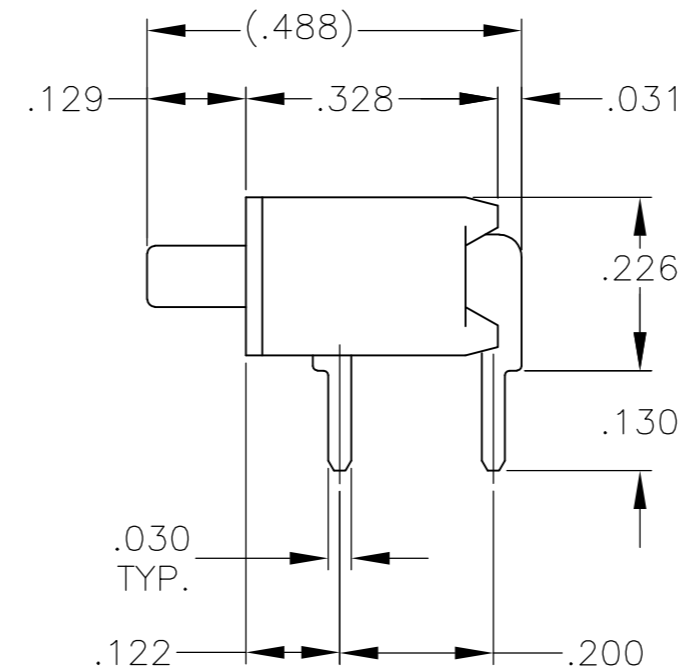
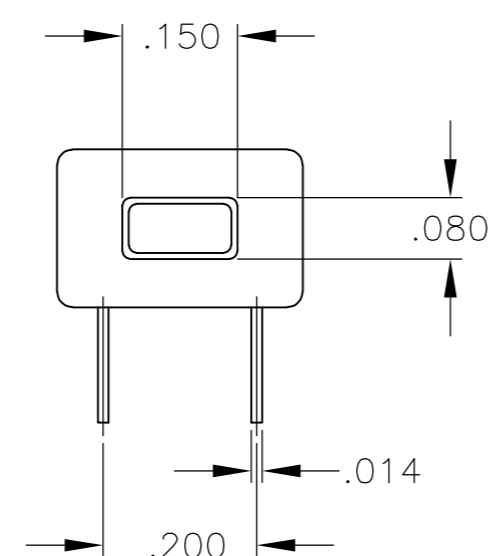
| | | | | | |
|--|--------|------------------|---------|------------------------------|---------------|
| THIS DRAWING IS A CONTROLLED DOCUMENT. | | DWN | 12-1-05 | TE TE Connectivity | |
| DIMENSIONS: INCHES | | CHK | - | | |
| TOLERANCES UNLESS OTHERWISE SPECIFIED: | | APVD | - | NAME | |
| 0 PLC \pm - | | PRODUCT SPEC | - | PUSHBUTTON SWITCH, TP SERIES | |
| 1 PLC \pm - | | APPLICATION SPEC | - | SIZE | CAGE CODE |
| 2 PLC \pm - | | WEIGHT | - | A2 | 00779 |
| 3 PLC \pm .010 | | CUSTOMER DRAWING | - | DRAWING NO | RESTRICTED TO |
| 4 PLC \pm - | | SCALE | 4:1 | C=1825095 | - |
| ANGLES \pm 3° | | SHEET | 2 of 3 | REV | A1 |
| MATERIAL | FINISH | | | | |

THIS DRAWING IS UNPUBLISHED. RELEASED FOR PUBLICATION
 © COPYRIGHT - By - ALL RIGHTS RESERVED.

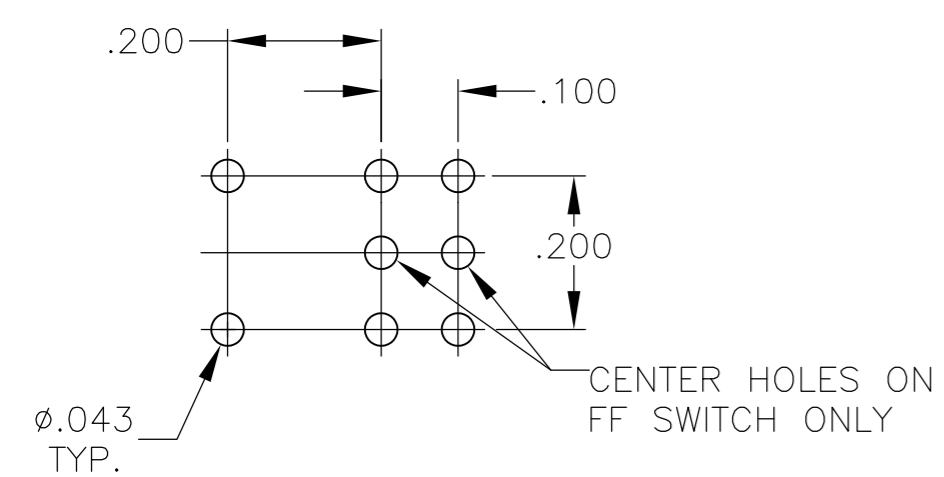
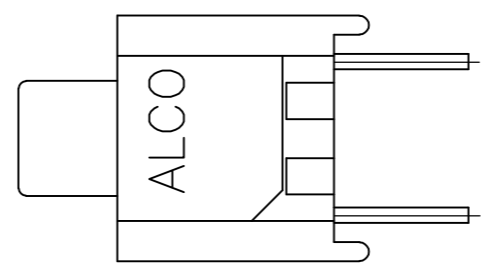
| LOC | | DIST | | REVISIONS | | | |
|-----|-----|-------------|------|-----------|------|--|--|
| P | LTR | DESCRIPTION | DATE | DWN | APVD | | |
| AD | 00 | SEE SHEET 1 | - | - | - | | |



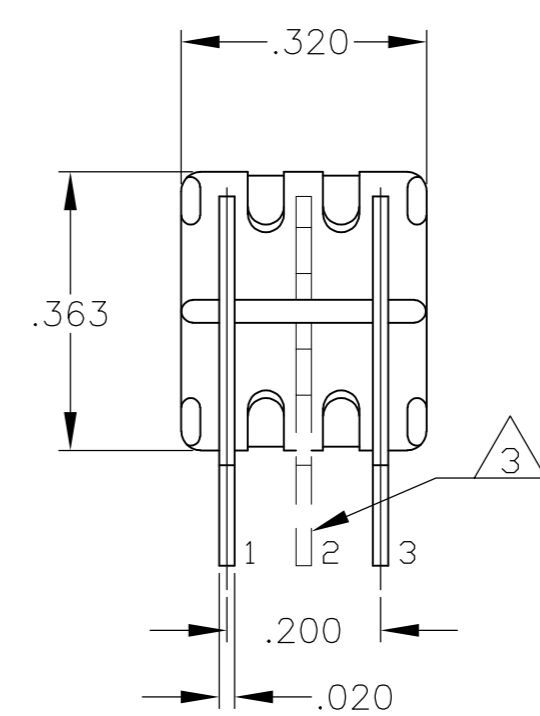
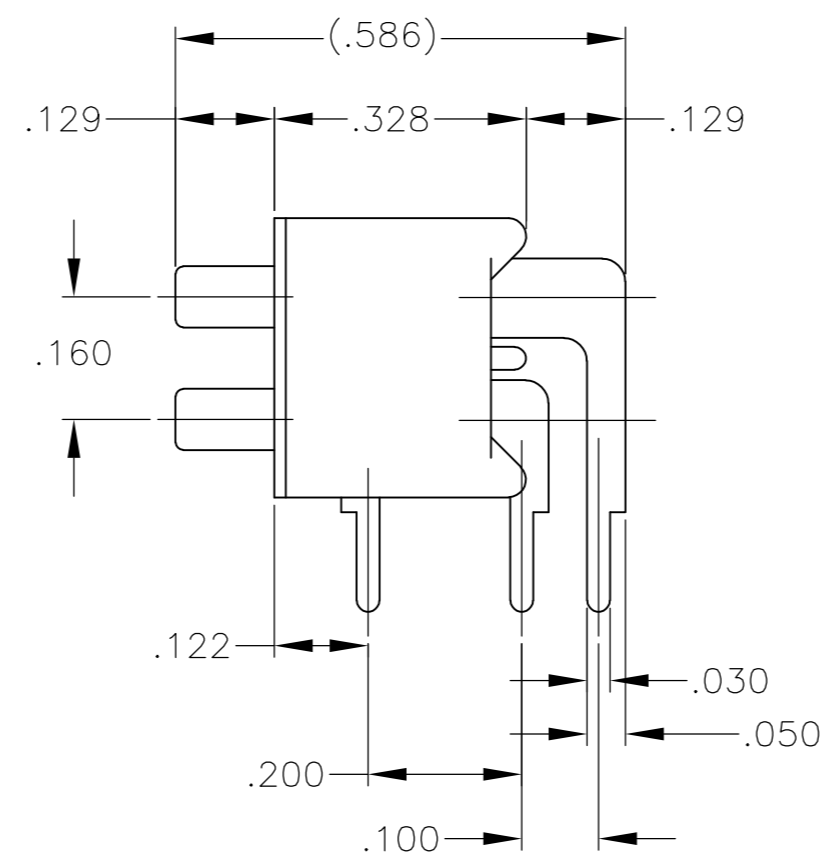
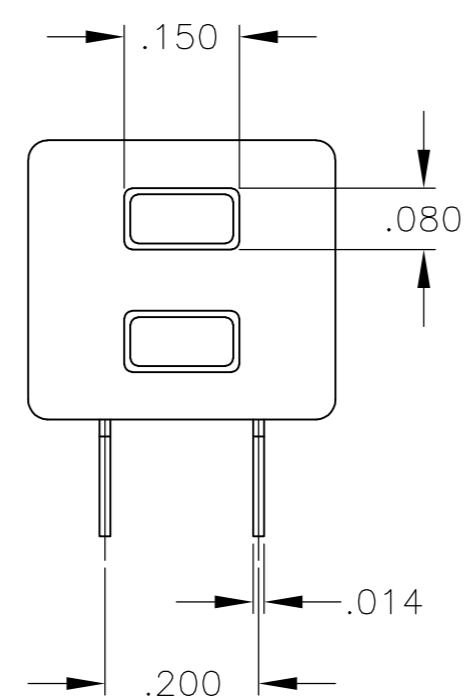
RECOMMENDED HOLE LAYOUT
 TOLERANCE ±.002 UNLESS OTHERWISE NOTED



TP11CGRA
 TP11FGRA



RECOMMENDED HOLE LAYOUT
 TOLERANCE ±.002 UNLESS OTHERWISE NOTED



TP21CCGRA
 TP21FFGRA

| | | | | | |
|--|--|------------------|---------|------------------------------|-----------|
| THIS DRAWING IS A CONTROLLED DOCUMENT. | | DWN | 12-1-05 | TE TE Connectivity | |
| DIMENSIONS: INCHES | | CHK | - | | |
| TOLERANCES UNLESS OTHERWISE SPECIFIED: | | APVD | - | NAME | |
| 0 PLC ± - | | PRODUCT SPEC | - | PUSHBUTTON SWITCH, TP SERIES | |
| 1 PLC ± - | | APPLICATION SPEC | - | SIZE | CAGE CODE |
| 2 PLC ± - | | WEIGHT | - | A2 | 00779 |
| 3 PLC ± .010 | | CUSTOMER DRAWING | - | DRAWING NO | 1825095 |
| 4 PLC ± - | | SCALE | 1:1 | SHEET | 3 OF 3 |
| ANGLES ± 3° | | REV | A1 | RESTRICTED TO | |
| FINISH | | | | | |